



1250 Victoria St, Carson, CA 90746
 Tel. 310-900-1000 Fax. 310-900-1077
 www.turboairinc.com

Project :

Model # :

Item # :

Qty :

Available W/H :

Approval :

Heavy Duty Restaurant Range

Model : TAR-6



FEATURES / BENEFITS

- HEAVY GAUGE WELDED FRAME CONSTRUCTION
- STAINLESS STEEL FRONT, SIDES, BACK RISER LIFT-OFF HIGH SHELF
- INDIVIDUAL PILOT FOR EACH LIFT OFF TOP OPEN BURNER AT 32,000 BTU/HR
- 6" STAINLESS STEEL ADJUSTABLE LEGS (CASTORS AVAILABLE AS AN OPTION)
- 12" X 12" SECTIONED HEAVY DUTY CAST IRON GRATES
- FULL SIZE PULL OUT CRUMB TRAY
- WRAP AROUND FULL STAINLESS STEEL OVEN INTERIOR / 26.3" DEPTH STANDARD
- FULLY ADJUSTABLE OVEN THERMOSTAT PROVIDING TEMPERATURES FROM 250-550 DEGREES
- PULL OFF STAINLESS STEEL DOOR FOR EASY CLEANING
- THERMOSTATICALLY CONTROLLED GRIDDLE (COMBO MODEL)
- 1 STAINLESS STEEL OVEN RACK (ADDITIONAL RACKS OPTIONAL)
- PUSH BUTTON IGNITION TO LIGHT A STANDING PILOT FOR OVEN
- CSA CERTIFIED FOR SAFETY & SANITATION FOR U.S AND CANADA
- A FULL ONE YEAR LIMITED PARTS AND LABOR WARRANTY



Model	Oven	Weight (lbs.)	Width (inches)	Total BTUs	Configuration
TAR-6	1	527	36	227K	6 open burners
TARG-4B12G / TARG-12G4B	1	564	36	178K	4 burners 12" griddle
TARG-2B24G / TARG-24G2B	1	580	36	144K	2 open burners 24" griddle

Heavy Duty Restaurant Range

Model : TAR-6

DATA	
Gas Type	NAT/LP Convertible
Gas Connection	3/4"
Regulator	3/4"
DIMENSIONAL DATA	
Number of oven	1
Ext. Length Overall	36" (915mm)
Ext. Depth Overall	32" (810mm) + manifold
Ext. Height Overall	56.5" (1436mm)
OVEN DIMENSION (Interior)	
Length	26.4" (670mm)
Depth	26.3" (669mm)
Height	13.6" (345mm)

Design and specifications subject to change without notice

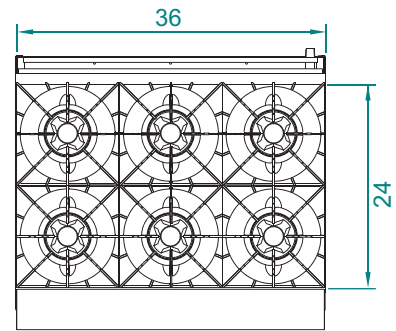
■ **WARRANTY : 1 Year Labor And Parts Warranty**

■ **OPTIONAL ACCESSORIES :**

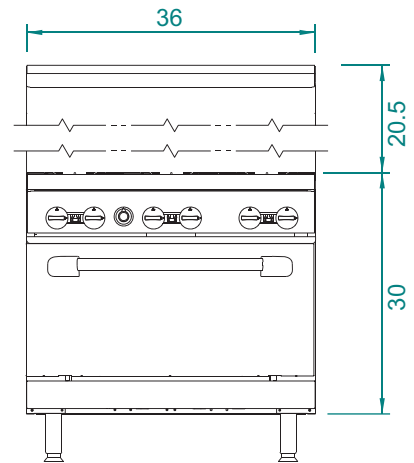
- Casters (Set of 4)
- Stainless steel oven racks

PLAN VIEW

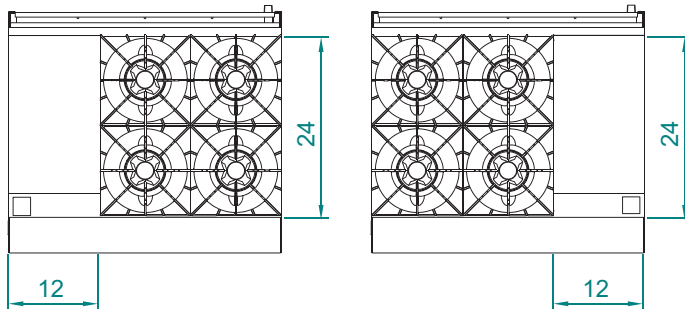
(unit : inch)



TOP VIEW

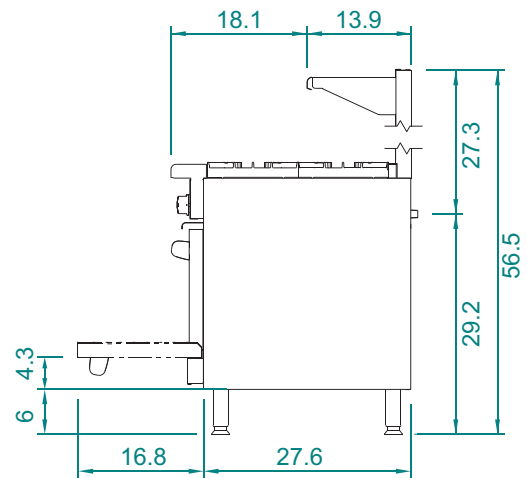


FRONT VIEW



TARG 12G4B
TOP VIEW

TARG-4B12G
TOP VIEW



SIDE VIEW



- Turbo Air : 800-627-0032 ■ GK : 800-500-3519
- Warranty : 800-381-7770 ■ AC : 888-900-1002